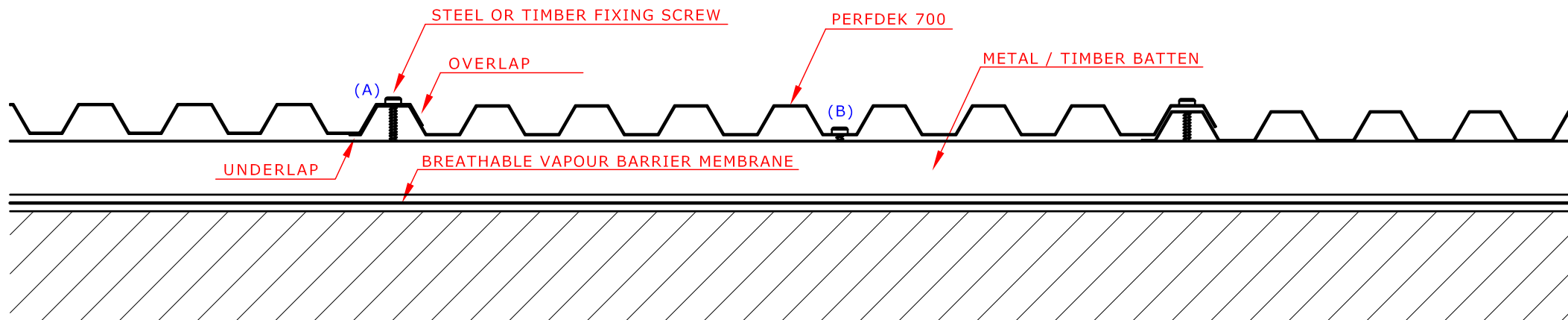


←----- LAYING DIRECTION, RIGHT TO LEFT SHOWN



INSTALLATION NOTE:
ROOF FIXING (A) - SCREW THROUGH RIB / CREST
CLADDING (B) - SCREW THROUGH PAN

MAIN BUILDING STRUCTURE