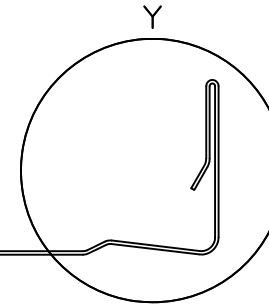
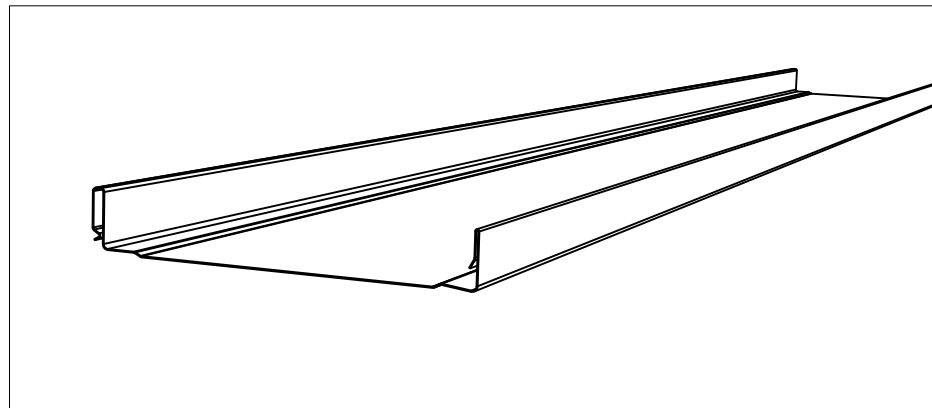
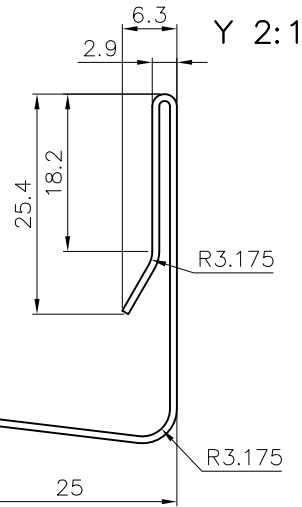
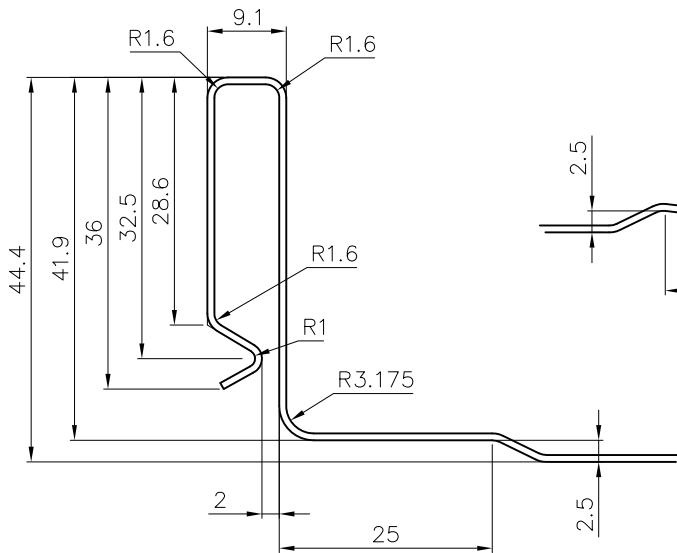


**Fixed-Side**



**Movable-Side**

Z 2:1



**PAGE TITLE:**

KLIPTRAY 45

**SCALE:**

N.T.S

**DRAWING NO.:**

Architectural Panel Systems –  
Australia  
6 Kambouris Crt,  
Corio, VIC, 3214  
P | (03) 5274 9600  
M | +61 432 590 125  
E | info@apsaus.com.au  
W | www.apsaus.com.au

NOT TO BE USED FOR  
CONSTRUCTION PURPOSE, DETAILS  
ARE TO BE USED AS A GUIDE  
ONLY

These details are not to be used  
for construction purpose, details  
are to be used as a guide only.  
Each individual project need to be  
taken into account on its merits  
and discussed with ArchiPanel for  
clarification of design and  
installation.  
This design detail is generic,  
commonly used system by  
ArchiPanel but may not directly  
apply to all projects and  
circumstances.  
Please contact ArchiPanel to  
discuss your specific requirement  
or for further design clarification.

